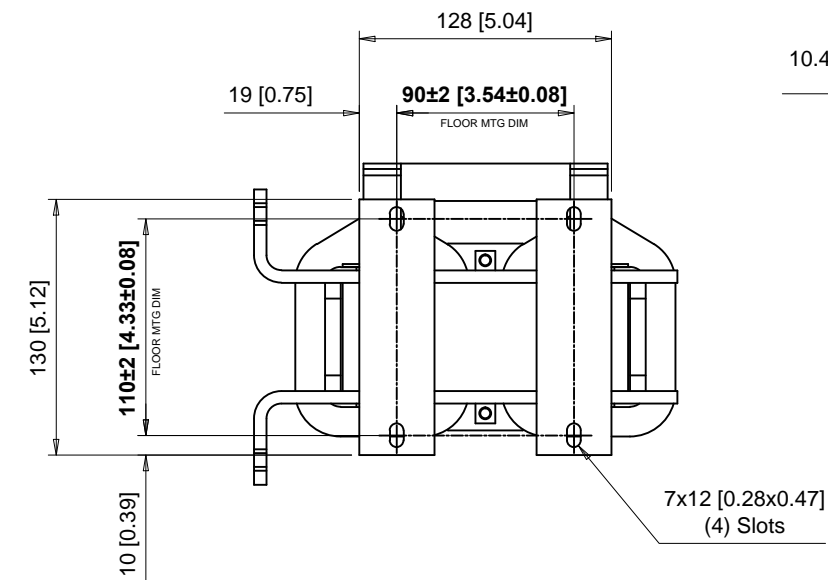


Detail A
Output Bus Bar
Scale 1:1



PART NUMBER	IMPEDANCE (mH)	CURRENT (A)	WEIGHT Kg (lb)	HEAT LOSS (W)
URX000531	0.55	116	15 (33.1)	100

YASKAWA



UNITS MM [IN]

SCALE 1:4

DRWN.	J. MATTAS	12-26-17
CHKD.	J. PIOTROWSKI	1-3-18
TECH.	L. UDDIN	1-9-18
APRV.	J. CAIRO	2-13-18

TITLE
INDUCTOR DIMENSION DRAWING
URX000531

SIZE A	PAGE 1 OF 1
DWG.NO. DD.URX000531	

REV
0